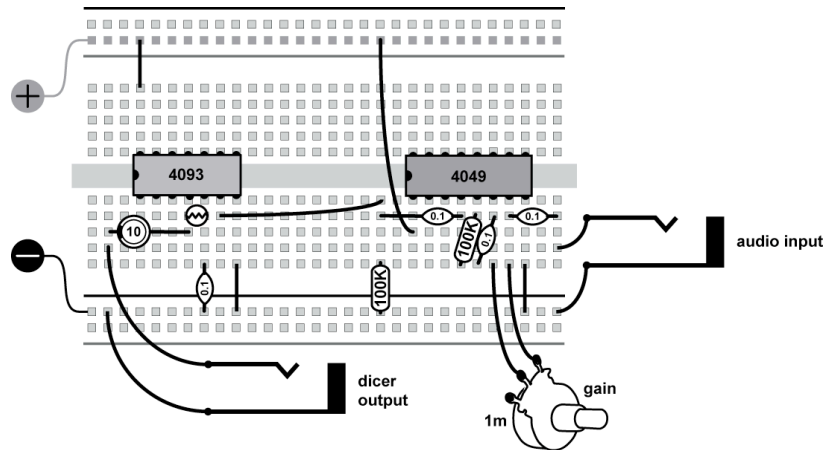


**Some Errors in the Second Edition of
Handmade Electronic Music – The Art of Hardware Hacking
Now Corrected**

**Chapter 23
“The Fuzzy Dicer”
Pg. 198, Fig. 23.1**

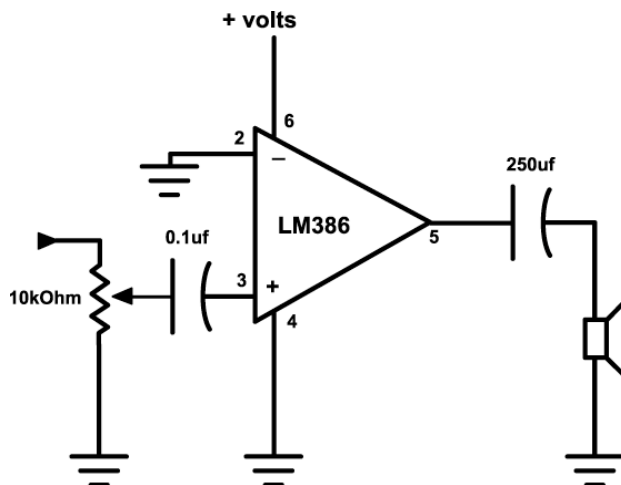
I foolishly gave the 4093 chip 16 pins; here it has been reduced to the proper 14:



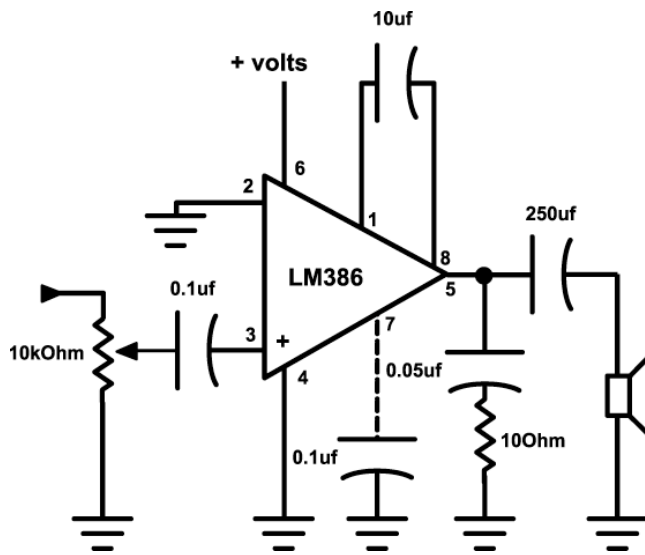
**Chapter 27
LM386-based power amplifiers**

After some experiments I've decided that an input DC blocking capacitor would be a good addition to the basic designs. Here are some updated schematics:

Pg. 247, Fig. 27.2



Pg. 247, Fig. 27.3



Pg. 248, Fig. 27.4

